

DR-17 Dental LCD Display

Product Introduction

Date: Jul 01, 2010
Version: 6.0



DR-Series Dental Performance

The DR-Series is an exceptional image-quality display designed for the most advanced, performance-critical dental environments

Content

- Market Position
- Selling Points
- Product Features
- Special Features
- Product Pictures
- Specification Overview
- Accessories

Market Position

DR-17

The DR-17 is a durable, high SXGA resolution 17" display featuring the DC 24V medical-grade power adaptor for dental applications. The sturdy metal casing and VESA compliant design allow for a variety of mounting possibilities. The protection of NeoV™ Optical Glass and the flexibility of S-Video, CVBS, analogue and DVI inputs make the DR-17 perfect for performing inspection and treatment in dental environments.



Selling Points

DR-17 Overview

- Full 17" LCD display with resolutions up to 1280 x 1024
- High 300 cd/m² brightness
- Crisp 3000:1 contrast ratio
- Fast 3 ms response time
- S-Video, composite, analogue, digital inputs
- Protective NeoV™ Optical Glass technology
- Illuminator mode for easy X-ray film viewing
- Distinctive metal casing for added strength
- DC 24V medical grade power adaptor allows longer distance connection
- EN60601-1 medical certification
- Equipotential Terminal safety standard
- An optional display handle as an accessory that allows easy display movement
- Easy to use multiple language OSD
- VESA standard arm mount



NeoV™ Optical Glass - The most trusted hard glass protection available. Only on AG Neovo displays.



Product Features (Page 1)

Metal Durability

Distinctive metal housing for added durability and strength

Multiple Video Inputs

S-Video and CVBS input options allow advanced connection with various kinds of video equipment

5-Meter DC Power Cord

For maximum freedom of installation and movement

Medical Grade Power Adaptor

DC 24V medical grade power adaptor that allows longer distance connection

Medical Safety Certification

To meet and exceed the strictest medical/safety standards-- EN60601-1 and Equipotential Terminal

Display Handle

An optional display handle as an accessory that allows easy display movement



Product Features (Page 2)

NeoV™ Optical Glass

The cutting edge NeoV™ Optical Glass delivers anti-reflective properties and colour definition, while protecting the ingress of chemicals, contaminants, splash, dust or other substances

Specialised Video Mode

Four pre-arranged optimised settings ensure the best viewing images within different applications

Swift Response Time

Fast 3ms gray-to-gray response time ensures smooth pictures and extraordinary viewing enjoyment without blurring or ghosting



Product Features (Page 3)

Auto-adjustment

Automatically adjusts screen setting for an optimal image without having to change manually

Friendly On-Screen Display

Intuitive multi-language OSD makes adjusting display setting quick and convenient

VESA Standard Wall/Arm Mountable

Mount the display on the wall or LCD arm to fully integrate it with the environments

Kensington® Security Socket

Increase security by anchoring the LCD display to an immovable object

Key Lock

Smart key lock function ensures screen setting won't be accidentally changed



Special Feature

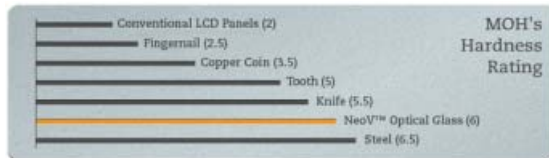
NeoV™ Optical Glass

Designed specifically to protect displays in multi-user and public environments, NeoV™ Optical Glass is the industry's most trusted hard glass technology



NeoV™ Optical Glass Benefits

- Display Panel Protection
- Anti-reflective & Scratch-resistant Coating
- Scratch-proof & Impact-safe
- High Brightness Transmittance
- Easy To Clean
- Professional Look & Feel



NeoV™ Optical Glass is the winner of "Best Innovation Award" from PC Magazine

Special Features

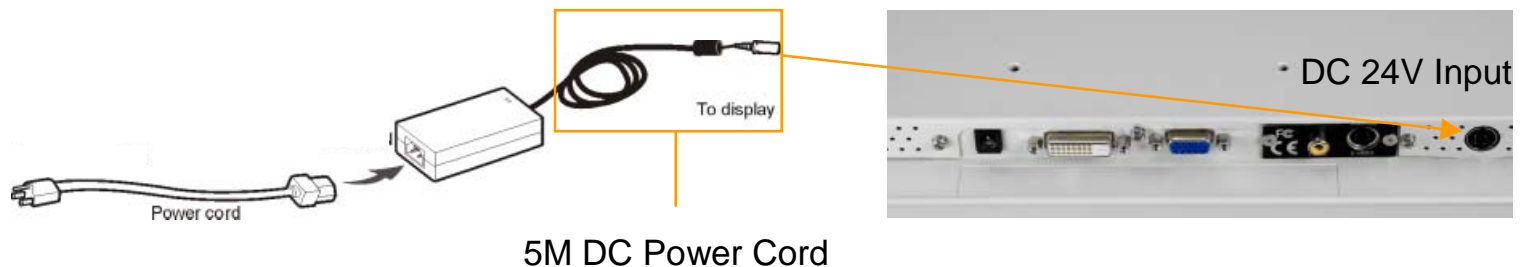
5-Meter Power Cord Length With DC 24V Power Adaptor

Extension Power Cord Length

- 5-meter DC power cord for maximum freedom of installation and movement in dental environments

DC 24V Medical Grade Power Adaptor

- The resistance causes a loss of voltage through the DC power cord over distance. If the cables are too long, or too skinny, the appliance, or other DC devices will not have enough power/signal to operate properly
- When the equipments are being installed, the displays can stabilise the electric power and sustain the transmission of electricity in a long distance between dental chair and outlet are expected

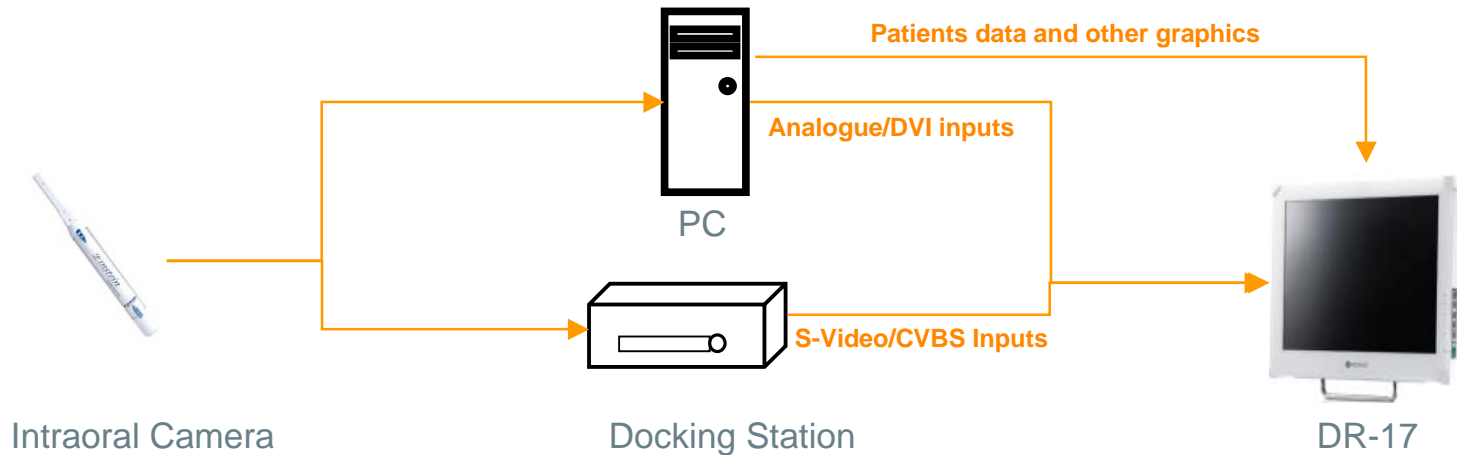


Special Features

Multiple Video Inputs

The video input ability allows the user to have a better look inside the oral cavity through the help of an intraoral camera

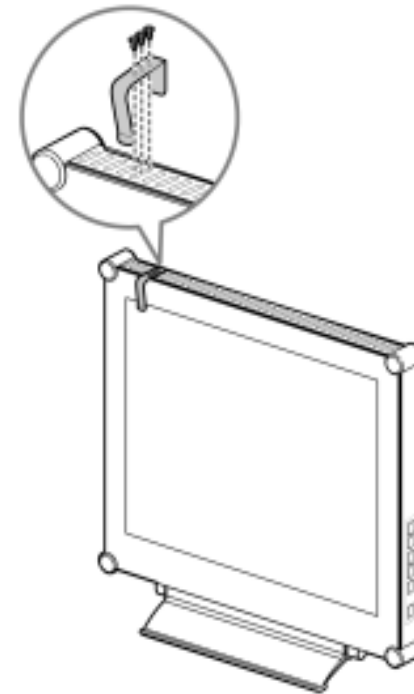
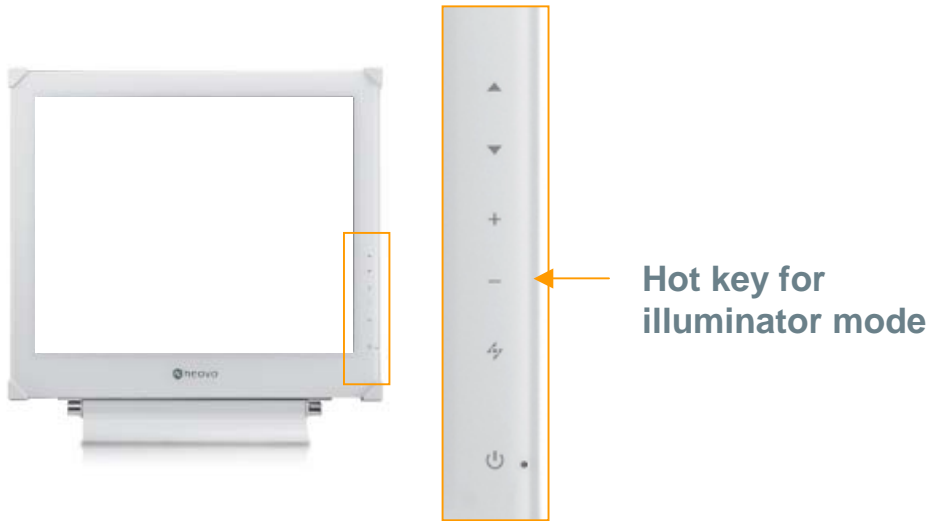
The DR-17's video inputs does not necessarily require a PC. It can be connected to any video device via the S-Video or CVBS input



Special Features

New! Illuminator mode for easy X-ray film viewing

A quick switch to turn the screen completely white for X-ray film viewing



Simply press – for 3 seconds to turn the screen to completely white screen to enable the dentists to use the screen as the light box for the X-ray films.

The X-ray Film Positioner helps X-ray films be placed on the screen

*X-ray Film Positioner comes with upgraded DR-17

Special Features

Convenient Video Mode (Page 1)

Pre-arranged settings to fit a variety of requirements

The convenient video mode provides four specialised pre-set modes: Text, Movie, Game and Graphic and one User mode for users' own viewing preference

Hot key design for quick adjustment

Simply navigate between the modes by pressing the button on the front panel

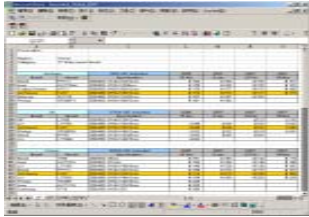


Hot key for video mode

Special Features

Convenient Video Mode (Page 2)

Optimised Settings According to the Requirements of the Task



Text mode

- Suitable brightness and contrast for clinic work



Game mode

- The best image performance without blurring or flickering



Movie mode

- Implementation of advanced overdrive and colour enhancement technology for cinema-like enjoyment



Graphic mode

- Rich colour saturation for vivid and vibrant images

Product Picture (Page 1)

Angle View



Product Pictures (Page 2)

Angle View (with handle)



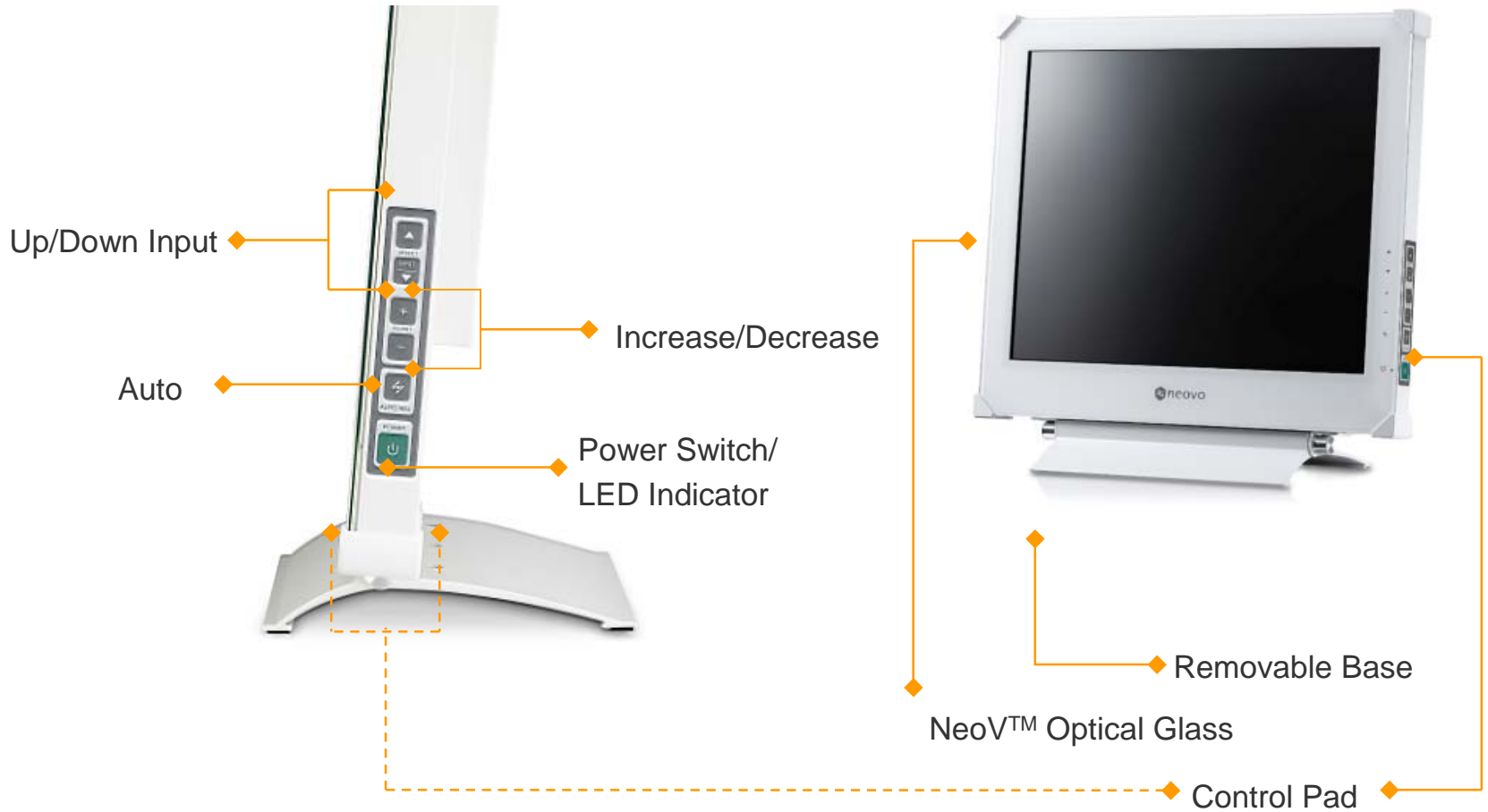
Product Pictures (Page 3)

Back View / Angle View (Display only)



Product Pictures (Page 4)

Function and Feature Highlights

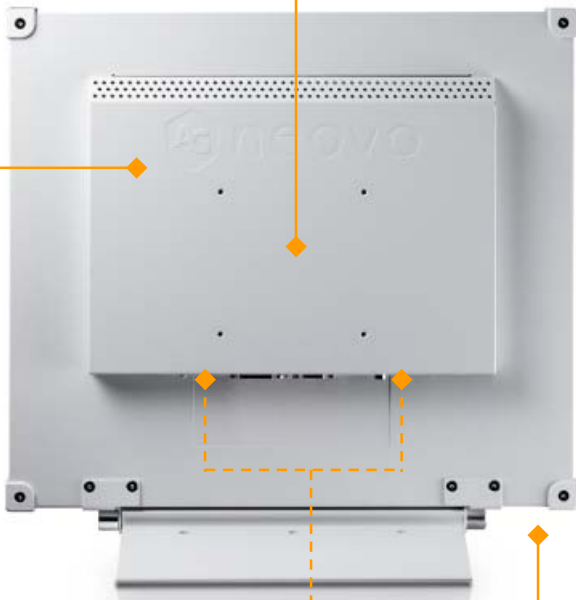


Product Pictures (Page 5)

Function and Feature Highlights

VESA Mounting Standard

Branded Rear Cover



Port Connections

Kensington® Security Socket

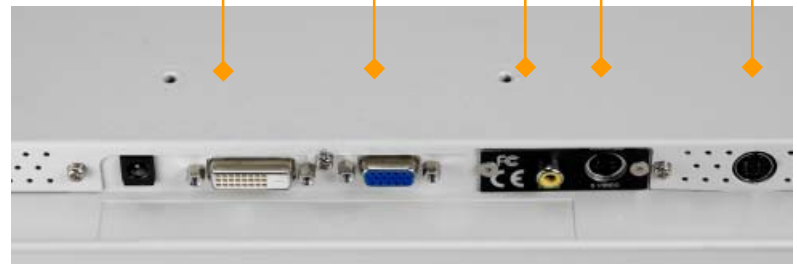
DVI-D

VGA

CVBS

S-Video

Power



Accessories

Mounting Solutions

Wall Mount Kit



WMK-01



WMK-02

Pivot Mounting Kit



PMK-01



PMK-02

Display Stand, Arm & Others

Height Adjustable Stand



ES-01

Display Arm



AG-01

HDMI-DVI Cable



CB-01



Thank You

All specifications are subject to change without prior notice.

© 1999-2010 AG Neovo. All rights reserved.

The name AG Neovo is a trademark of Associated Industries China, Inc.

All other trademarks are the property of their respective owners.

www.agneovo.com